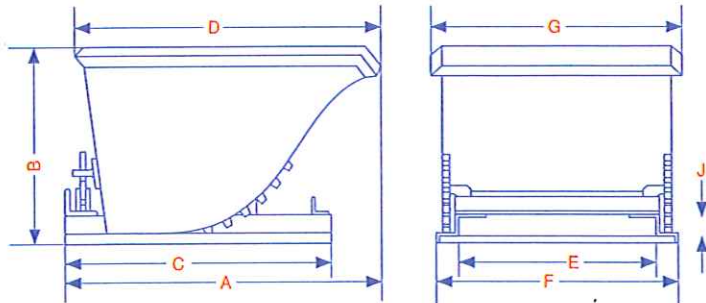
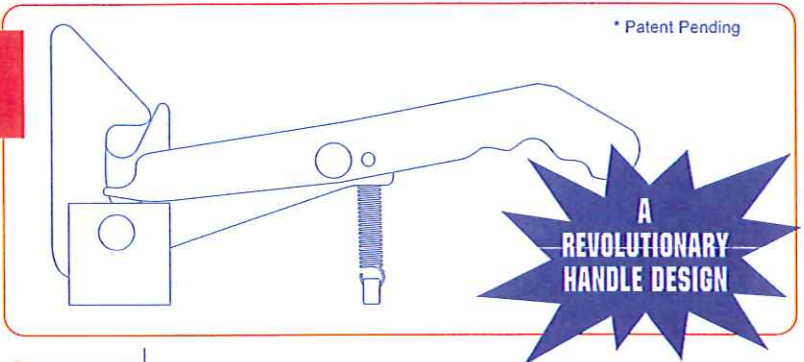


STANDARD HEAVY-DUTY UNITS

POSI-LOCK HANDLE

STANDARD HANDLE
ON ALL MARATHON
LIFT TRUCK HOPPERS



MODEL	SIZE	A	B	C	D	E	F	G	WT
HD-25	1/4 YD	46 1/2"	24"	42"	41"	24 7/8"	32 3/8"	33 1/2"	370#
HD-50	1/2 YD	54"	31 1/2"	42"	52 1/4"	24 7/8"	32 3/8"	33 1/2"	460#
HD-75	3/4 YD	60 1/4"	35"	54"	56 1/4"	30 3/4"	38 3/8"	39 1/2"	580#
HD-100	1 YD	64 3/4"	37 3/4"	54"	62 1/2"	30 3/4"	38 3/8"	39 1/2"	630#
HD-150	1 1/2 YD	75 3/4"	46 1/4"	60"	73"	30 3/4"	38 3/8"	39 1/2"	780#
HD-150LP	1 1/2 YD LP	64 3/4"	37 3/4"	54"	62 1/2"	30 3/4"	38 3/8"	51 1/2"	750#
HD-200	2 YD	75 3/4"	46 1/4"	60"	73"	42 1/2"	50 1/4"	51 1/2"	850#
HD-250	2 1/2 YD	75 3/4"	47 1/4"	60"	73"	42 1/2"	50 1/4"	63 1/2"	1230#
HD-300	3 YD	75 3/4"	47 1/4"	60"	73"	42 1/2"	50 1/4"	75 1/2"	1330#
HD-500	5 YD	75 3/4"	47 1/4"	60"	73"	42 1/2"	50 1/4"	123 1/2"	2000#